

MEDICAL TROLLEYS AND ACCESSORIES



-many speak about it
-some of them want it
-we have it
CROATIAN PRODUCT

PIRIKOM d.o.o.

Pirikom Ltd. Is a family company that makes shosc many years of experience and freshness of youth, whose main activity is the manufacture of metal furniture and furnishing business and similar spaces, and is currently the only company in Croatia thta produces medical, non-medical furniture and equipmet.

Pirikom Ltd. employs 30 employees in order to increase the number of employees, support and expansion of Croatian production at home and aboard. The company is located in the representatsive building, which extends to 3000m2.

Own fleet ensures fast and safe delivery of products to the desired location.

Fields of activity:

Production of metal, wood and medical furniture

Equipping all types buildings

Production of steel structures, aluminium joinery, rock

Processing of all kinds of metal on modern CNC machines and laser and electrostatic powder coating.

The company constantly monitors the world trends and innovations in technology and applies them in the design and production to meet their partners and customers.

The main goal is the expension and improvement of our own production and building customer confidence towards Croatian products.

In recent years the company has expanded its products portfolio and has successfully developed a program of medical trolleys, cabinets, beds, etc.

Primarily began with the export of the same, and subsequently equipped and Croatian hospitals and institutions and PIRIKOM Ltd. Now equally present at the domestic market, and foreign.

Products Company Ltd. PIRIKOM have been recognized and supported at European level.

For many years the company is available at the design and prototyping of differnt types of appliances, platomat, medical cartd and steinless steel cabuinet for transformers.



PiriKom d.o.o

Dubovec BISAŠKI bb; 10 383 Komin

Telefon: 01 2067 555, 2040 990

Fax: 01 2067 744

E-mail: pirikompirikom.hr;

komedic@komedic.hr

www.komedic.hr



CONTENTS:

MEDICAL TROLLEYS:

1. *Imperia*
2. *Imperia I*
3. *Imperia double*
4. *King*
5. *Emergency*
6. *Prince*
7. *Royal mini*
8. *Remmy*

KMK TROLLEYS

1. *KMK 580*
2. *KMK 740*
3. *KMK 1060*

STEINLESS STEEL TROLLEYS

1. *Steinless steel trolleys with 2 shelves*
2. *Steinless steel trolleys with 3 shelves*
3. *Steinless steel trolleys with 2 shelves*
1 drawer h135/w550 mm
4. *Steinless steel trolleys with 2 shelves*
2 drawer h135/w320 mm

ACCESSORIES

1. *Knee-operated waste bin*
2. *Arcas boxes*
3. *Carrier defibrilators*
4. *Carrier for needle containers*
5. *Infusion stand*
6. *Carrier for oxygen bottle*
7. *Caterer holder*
8. *Plexi shelf*
9. *Pull-up shelf*
10. *Adjustable dividers*
11. *Bag carrier*

OTHER MEDICAL PROGRAM

1. *Serving table*
2. *Cabinet drugs*
3. *Examination table*
4. *Treads*
5. *Night stand*

MEDICAL TROLLEYS

IMPERIA



IMPERIA L



IMPERIA DOUBLE



KING



EMERGENCY



PRINCE



ROYAL MINI



REMMY



**ALL PRODUCTS ARE SUPPLIED STANDARD IN RAL 7035.
 TO CUSTOMER DEMAND WE CAN MAKE A PRODUCTS IN THE FOLLOWING
 COLOURS:*



***Images are for information only and we reserved the right to change models and technical features of the products*

MEDICAL TROLLEYS

IMPERIA

| CODE | DESCRIPTION | SIZE (HxWxDmm) | NUMBER OF DRAWERS |
|----------|-------------|------------------|-------------------|
| 03010802 | IMPERIA | 1110 x 670 x 480 | 5 |

- Imperia medical trolley with 5 drawers with full extension on telescopic runners / 100 + 150 + 150 + 200 + 200 mm
- They are made of high quality steel, electrostatic powder coated
- The roof and bumpers are made of ABS plastic
- The edges are raised on three sides
- Central lock
- They have a four-wheel-fi 125 mm, two with brake, two swivel
- Equipped with the knee-operated waste bin and pull-up shelf.



More about products on www.komedic.hr

MEDICAL TROLLEYS

IMPERIA L



| CODE | DESCRIPTION | SIZE (HxWxDmm) | NUMBER OF DRAWERS |
|----------|-------------|------------------|-------------------|
| 03010806 | IMPERIA L | 1110 x 900 x 480 | 5 |

- Imperia L medical trolleys with 5 drawers with full extension on telescopic runners / 100 + 150 + 150 + 200 + 200 mm
- They are made of high quality steel, electrostatic powder coated
- The roof and bumpers are made of ABS plastic
- The edges are raised on three sides
- Central lock
- They have a four-wheel-fi 125 mm, two with brake, two swivel
- Equipped with the knee-operated waste bin and pull-up shelf.

More about products on www.komedic.hr

MEDICAL TROLLEYS

IMPERIA DOUBLE

| CODE | DESCRIPTION | SIZE (HxWxDmm) | NUMBER OF DRAWERS |
|----------|----------------|------------------|-------------------|
| 03010805 | IMPERIA DOUBLE | 1110 x 900 x 480 | 10 |

- Imperia Double medical trolleys with 10 drawers with full extension on telescopic runners / 2x100 + 150 + 150 + 200 + 200 mm
- They are made of high quality steel, electrostatic powder coated
- The roof and bumpers are made of ABS plastic
- The edges are raised on three sides
- Central lock
- They have a four-wheel-fi 125 mm, two with brake, two swivel
- Equipped with the knee-operated waste bin and pull-up shelf.



More about products on www.komedic.hr

MEDICAL TROLLEYS

KING



| CODE | DESCRIPTION | SIZE (HxWxDmm) | NUMBER OF DRAWERS | NUMBER OF SHELFs |
|----------|-------------|-------------------|-------------------|------------------|
| 03010811 | KING | 1200 x 1000 x 650 | 1 | 2 |

- King Medical trolleys have 1 drawer 100 mm with full extension on telescopic + cupboard with 2 shelves
- They are made of high quality steel, electrostatic powder coated
- The roof is made of chipboard
- The edges are raised on three sides
- Central lock
- They have a four-wheel-fi 125 mm, two with brake, two swivel
- Equipped with a pocket for documents.

MEDICAL TROLLEYS

EMERGENCY

| CODE | DESCRIPTION | SIZE (HxWxDmm) | NUMBER OF DRAWERS |
|----------|-------------|------------------|-------------------|
| 03010847 | EMERGENCY | 1110 x 670 x 480 | 6 |

- Emergency medical trolleys with 6 drawers with full extension on telescopic runners / 75 + 75 + 100 + 150 + 200 + 200 mm
- They are made of high quality steel, electrostatic powder coated
- The roof and bumpers are made of ABS plastic
- The edges are raised on three sides
- They have a four-wheel-fi 125 mm, two with brake, two swivel
- Equipped with the pull-up shelf, carrier defibrillator, infusion stand, plexi shelf and carrier for oxygen bottle.



More about products on www.komedic.hr

MEDICAL TROLLEYS

PRINCE



| CODE | DESCRIPTION | SIZE (HxWxDcmm) | NUMBER OF DRAWERS |
|----------|-------------|------------------|-------------------|
| 03010808 | PRINCE | 1070 x 670 x 630 | 3 |

- Prince medical trolleys with 3 drawers with full extension on telescopic runners / 150 + 150 + 150 mm
- They are made of high quality steel, electrostatic powder coated
- The roof is retractable from chipboard
- Central lock
- They have a four-wheel-fi 125 mm, two with brake, two swivel.

More about products on www.komedic.hr

MEDICAL TROLLEYS

ROYAL MINI

| CODE | DESCRIPTION | SIZE (HxWxDmm) | NUMBER OF DRAWERS |
|----------|-------------|------------------|-------------------|
| 03010809 | ROYAL MINI | 1070 x 670 x 630 | 1 |

- Royal mini medical trolleys with 1 drawer of 400 mm with full extension on telescopic guides.
- They are made of high quality steel, electrostatic powder coated
- The roof is retractable from chipboard
- Central lock
- They have a four-wheel-fi 125 mm, two with brake, two swivel.



More about products on www.komedic.hr

MEDICAL TROLLEYS

ROYAL MINI



| CODE | DESCRIPTION | SIZE (HxWxDmm) | NUMBER OF DRAWERS |
|----------|-------------|------------------|-------------------|
| 03010813 | ROYAL MINI | 1070 x 670 x 630 | 8 |

- Remmy medical trolleys have 8 drawers with 28 ABS bowl, smaller 4x6, 2x2 bigger
- They are made of high quality steel, electrostatic powder coated
- The roof and bumpers are made of ABS plastic
- The edges are raised on three sides
- They have a four-wheel-fi 125 mm, two with brake, two swivel
- Central lock
- Equipped with the knee-operated waste bin and pull-up shelf.

More about products on www.komedic.hr

KMK TROLLEYS

KMK 580-03

| CODE | DESCRIPTION | SIZE (HxWxDmm) | POSSIBLE HEIGHT OF DRAWERS |
|----------|-------------|------------------|---------------------------------|
| 03010832 | KMK 580-03 | 1050 x 580 x 500 | 100 150 200 250 300 |

- Trolleys KMK 580-03 dimensions are 1050 x 580 x 500 mm
- The maximum width of the trolleys is 615 mm, a depth of 650 mm
- Skeleton trolleys and trays are made of high quality steel and electrostatic plastic coatings in RAL 7035
- The roof is made of ABS plastic that is easy to maintain, clean and disinfect, with the three sides of the edges are raised
- The drawers are full extension on quality telescopic guides
- Height drawer is 100 + 300 + 300 mm in the range of 700 mm - three drawers
- The width of the mask drawer is 477 mm electrostatic powder coated in RAL color of choice
- The trolley has two swivel wheels Ø 125 mm and two swivel with brake Ø 125 mm, and plastic bumpers on both sides



More about products on www.komedic.hr

KMK TROLLEYS

KMK 580-04



| CODE | DESCRIPTION | SIZE (HxWxDmm) | POSSIBLE HEIGHT OF DRAWERS |
|----------|-------------|------------------|---------------------------------|
| 03010831 | KMK 580-04 | 1050 x 580 x 500 | 100 150 200 250 300 |

- Trolleys KMK 580-04 dimensions are 1050 x 580 x 500 mm
- The maximum width of the trolley is 615 mm, a depth of 650 mm
- Skeleton trolleys and trays are made of high quality steel and electrostatic plastic coatings in RAL 7035
- The roof is made of ABS plastic that is easy to maintain, clean and disinfect, with the three sides of the edges are raised
- The drawers are full extension on quality telescopic guides
- Height drawer is 150 + 150 + 200 + 200 mm in the range of 700 mm - four drawers
- The width of the mask drawer is 477 mm electrostatic powder coated in RAL color of choice
- The trolleys has two swivel wheels \varnothing 125 mm and two swivel with brake \varnothing 125 mm, and plastic bumpers on both sides

KMK TROLLEYS

KMK 580-05

| CODE | DESCRIPTION | SIZE (HxWxDmm) | POSSIBLE HEIGHT OF DRAWERS |
|----------|-------------|------------------|---------------------------------|
| 03010830 | KMK 580-05 | 1050 x 580 x 500 | 100 150 200 250 300 |

- Trolleys KMK 580-05 dimensions are 1050 x 580 x 500 mm
- The maximum width of the trolley is 615 mm, a depth of 650 mm
- Skeleton trolleys and trays are made of high quality steel and electrostatic plastic coatings in RAL 7035
- The roof is made of ABS plastic that is easy to maintain, clean and disinfect, with the three sides of the edges are raised
- The drawers are full extension on quality telescopic guides
- Height drawer is 100 + 100 + 150 + 150 + 200 mm in the range of 700 mm - five drawer
- The width of the mask drawer is 477 mm electrostatic powder coated in RAL color of choice
- The trolley has two swivel wheels Ø 125 mm and two swivel with brake Ø 125 mm, and plastic bumpers on both sides



More about products on www.komedic.hr

KMK TROLLEYS

KMK 740-104



| CODE | DESCRIPTION | SIZE (HxWxDmm) | POSSIBLE HEIGHT OF DRAWERS |
|----------|-------------|------------------|---------------------------------|
| 03010840 | KMK 740-104 | 1050 x 740 x 500 | 100 150 200 250 300 |

- Trolleys KMK 740-104 dimensions are 1050 x 740 x 500 mm
- The maximum width of the trolley is 775 mm, a depth of 650 mm
- Skeleton trolleys and trays are made of high quality steel and electrostatic plastic coatings in RAL 7035
- The roof is made of ABS plastic that is easy to maintain, clean and disinfect, with the three sides of the edges are raised
- The drawers are full extension on quality telescopic guides
- Height drawer is 200 + 150 + 150 + 200 mm in the range of 700 mm - four drawers
- The width of the mask drawer is 637 mm electrostatic powder coated in RAL color of choice
- The trolleys has two swivel wheels Ø 125 mm and two swivel with brake Ø 125 mm, and plastic bumpers on both sides

More about products on www.komedic.hr

KMK TROLLEYS

KMK 740-105

| CODE | DESCRIPTION | SIZE (HxWxDmm) | POSSIBLE HEIGHT OF DRAWERS |
|----------|-------------|------------------|---------------------------------|
| 03010841 | KMK 740-105 | 1050 x 740 x 500 | 100 150 200 250 300 |

- Trolleys KMK 740-105 dimensions are 1050 x 740 x 500 mm
- The maximum width of the trolley is 775 mm, a depth of 650 mm
- Skeleton trolleys and trays are made of high quality steel and electrostatic plastic coatings in RAL 7035
- The roof is made of ABS plastic that is easy to maintain, clean and disinfect, with the three sides of the edges are raised
- The drawers are full extension on quality telescopic guides
- Height drawer is 100 + 100 + 150 + 150 + 200 mm in the range of 700 mm - five drawer
- The width of the mask drawer is 637 mm electrostatic powder coated in RAL color of choice
- The trolleys has two swivel wheels \varnothing 125 mm and two swivel with brake \varnothing 125 mm, and plastic bumpers on both sides



More about products on www.komedic.hr

KMK TROLLEYS

KMK 740-206



| CODE | DESCRIPTION | SIZE (HxWxDmm) | POSSIBLE HEIGHT OF DRAWERS |
|----------|-------------|------------------|---------------------------------|
| 03010857 | KMK 740-206 | 1050 x 740 x 500 | 100 150 200 250 300 |

- Trolleys KMK 740-206 dimensions are 1050 x 740 x 500 mm
- The maximum width of the trolley is 775 mm, a depth of 650 mm
- Skeleton trolleys and trays are made of high quality steel and electrostatic plastic coatings in RAL 7035
- The roof is made of ABS plastic that is easy to maintain, clean and disinfect, with the three sides of the edges are raised
- The drawers are full extension on quality telescopic guides
- Height of the tray 2 in the order of 150 + 150 and 150 + 150 mm at the bottom and 200 + 200 mm in the range of 700 mm - six drawers
- The width of the mask drawer is 317 mm electrostatic powder coated in RAL color of choice
- The trolleys has two swivel wheels Ø 125 mm and two swivel with brake Ø 125 mm, and plastic bumpers on both sides

More about products on www.komedic.hr

KMK TROLLEYS

KMK 740-208

| CODE | DESCRIPTION | SIZE (HxWxDmm) | POSSIBLE HEIGHT OF DRAWERS |
|----------|-------------|------------------|---------------------------------|
| 03010850 | KMK 740-208 | 1050 x 740 x 500 | 100 150 200 250 300 |



- Trolleys KMK 740-208 dimensions are 1050 x 740 x 500 mm
- The maximum width of the trolley is 775 mm, a depth of 650 mm
- Skeleton trolleys and trays are made of high quality steel and electrostatic plastic coatings in RAL 7035
- The roof is made of ABS plastic that is easy to maintain, clean and disinfect, with the three sides of the edges are raised
- The drawers are full extension on quality telescopic guides
- Height drawers in 2 rows 150 + 150 + 200 + 200 and 150 + 150 + 200 + 200 mm in the range of 700 mm - eight drawers
- The width of the mask drawer is 637 mm electrostatic powder coated in RAL color of choice
- The trolleys has two swivel wheels Ø 125 mm and two swivel with brake Ø 125 mm, and plastic bumpers on both sides

More about products on www.komedic.hr

KMK TROLLEYS

KMK 740-210



| CODE | DESCRIPTION | SIZE (HxWxDmm) | POSSIBLE HEIGHT OF DRAWERS |
|----------|-------------|------------------|---------------------------------|
| 03010851 | KMK 740-210 | 1050 x 740 x 500 | 100 150 200 250 300 |

- Trolleys KMK 740-210 dimensions are 1050 x 740 x 500 mm
- The maximum width of the trolley is 775 mm, a depth of 650 mm
- Skeleton trolleys and trays are made of high quality steel and electrostatic plastic coatings in RAL 7035
- The roof is made of ABS plastic that is easy to maintain, clean and disinfect, with the three sides of the edges are raised
- The drawers are full extension on quality telescopic guides
- Height drawers in 2 rows 100 + 100 + 150 + 150 + 200 and 100 + 100 + 150 + 150 + 200 mm in the range of 700 mm - ten drawers
- The width of the mask drawer is 317 mm electrostatic powder coated in RAL color of choice
- The trolleys has two swivel wheels Ø 125 mm and two swivel with brake Ø 125 mm, and plastic bumpers on both sides

*
More about products on www.komedic.hr

KMK TROLLEYS

KMK 740-308

| CODE | DESCRIPTION | SIZE (HxWxDmm) | POSSIBLE HEIGHT OF DRAWERS |
|----------|-------------|------------------|---------------------------------|
| 03010861 | KMK 740-308 | 1050 x 740 x 500 | 100 150 200 250 300 |

- Trolleys KMK 740-308 dimensions are 1050 x 740 x 500 mm
- The maximum width of the trolley is 775 mm, a depth of 650 mm
- Skeleton trolleys and trays are made of high quality steel and electrostatic plastic coatings in RAL 7035
- The roof is made of ABS plastic that is easy to maintain, clean and disinfect, with the three sides of the edges are raised
- The drawers are full extension on quality telescopic guides
- Height of the tray 2 in the order of 100 + 100 + 150 and 100 + 100 + 150 and the bottom 150 + 200 mm in the range of 700 mm - eight trays
- The width of the mask drawer is 317 mm electrostatic powder coated in RAL color of choice
- The trolleys has two swivel wheels Ø 125 mm and two swivel with brake Ø 125 mm, and plastic bumpers on both sides



More about products on www.komedic.hr

KMK TROLLEYS

KMK TROLLEYS 1060-208



| CODE | DESCRIPTION | SIZE (HxWxDmm) | POSSIBLE HEIGHT OF DRAWERS |
|----------|--------------|-------------------|---------------------------------|
| 03010874 | KMK 1060-208 | 1050 x 1060 x 500 | 100 150 200 250 300 |

- Trolleys KMK 1060-208 dimensions are 1050 x 1060 x 500 mm
- The maximum width of the trolley is 1095 mm, a depth of 650 mm
- Skeleton trolleys and trays are made of high quality steel and electrostatic plastic coatings in RAL 7035
- The roof is made of ABS plastic that is easy to maintain, clean and disinfect, with the three sides of the edges are raised
- The drawers are full extension on quality telescopic guides
- The height of the upper tray is 100 + 200, 150 + 150 and 100 + 100 + 100 mm and the bottom of the 2x200 + 200 mm in the range of 700 mm - eight drawers
- The width of the mask drawer are 317,477 and 637 mm electrostatic powder coated in RAL color of choice
- The trolleys has two swivel wheels Ø 125 mm and two swivel with brake Ø 125 mm, and plastic bumpers on both sides

More about products on www.komedic.hr

KMK TROLLEYS

KMK TROLLEYS 1060-210

| CODE | DESCRIPTION | SIZE (HxWxDmm) | POSSIBLE HEIGHT OF DRAWERS |
|----------|--------------|-------------------|---------------------------------|
| 03010875 | KMK 1060-210 | 1050 x 1060 x 500 | 100 150 200 250 300 |

- Trolleys KMK 1060-210 dimensions are 1050 x 1060 x 500 mm
- The maximum width of the trolley is 1095 mm, a depth of 650 mm
- Skeleton trolleys and trays are made of high quality steel and electrostatic plastic coatings in RAL 7035
- The roof is made of ABS plastic that is easy to maintain, clean and disinfect, with the three sides of the edges are raised
- The drawers are full extension on quality telescopic guides
- The height of the upper trays 100 + 200, 150 + 150 and 100 + 100 + 100 mm, and the bottom of the 2x200 + 200 mm in the range of 700 mm - ten drawers
- The width of the mask drawer are 317,477 and 637 mm electrostatic powder coated in RAL color of choice
- The trolleys has two swivel wheels Ø 125 mm and two swivel with brake Ø 125 mm, and plastic bumpers on both sides



More about products on www.komedic.hr

KMK TROLLEYS

KMK TROLLEYS 1060-309



| CODE | DESCRIPTION | SIZE (HxWxDmm) | POSSIBLE HEIGHT OF DRAWERS |
|----------|--------------|-------------------|---------------------------------|
| 03010876 | KMK 1060-309 | 1050 x 1060 x 500 | 100 150 200 250 300 |

- Trolleys KMK 1060-309 are the dimensions 1050 x 1060 x brake \varnothing 125 mm, and plastic bumpers on both sides 500 mm
- The maximum width of the trolley is 1095 mm, a depth of 650 mm
- Skeleton trolleys and trays are made of high quality steel and electrostatic plastic coatings in RAL 7035
- The roof is made of ABS plastic that is easy to maintain, clean and disinfect, with the three sides of the edges are raised
- The drawers are full extension on quality telescopic guides
- The height of the upper tray is 100 + 200, 150 + 150 and 100 + 100 + 100 mm and the bottom of the 2x200 + 200 mm in the range of 700 mm - nine drawers
- The width of the mask drawer are 317,477 and 637 mm electrostatic powder coated in RAL color of choice
- The trolleys has two swivel wheels \varnothing 125 mm and two swivel with

More about products on www.komedic.hr

KMK TROLLEYS

KMK TROLLEYS 1060-312

| CODE | DESCRIPTION | SIZE (HxWxDmm) | POSSIBLE HEIGHT OF DRAWERS |
|----------|--------------|-------------------|---------------------------------|
| 03010877 | KMK 1060-312 | 1050 x 1060 x 500 | 100 150 200 250 300 |

- Trolleys KMK 1060-312 dimensions are 1050 x 1060 x 500 mm
The maximum width of the trolley is 1095 mm, a depth of 650 mm
- Skeleton trolleys and trays are made of high quality steel and electrostatic plastic coatings in RAL 7035
- The roof is made of ABS plastic that is easy to maintain, clean and disinfect, with the three sides of the edges are raised
- The drawers are full extension on quality telescopic guides
- The height of the upper tray is 100 + 200, 150 + 150 and 100 + 100 + 100 mm and the bottom of the 2x200 + 200 mm in the range of 700 mm - twelve drawers
- The width of the mask drawer are 317,477 and 637 mm electrostatic powder coated in RAL color of choice
- The trolleys has two swivel wheels Ø 125 mm and two swivel with brake Ø 125 mm, and plastic bumpers on both sides



More about products on www.komedic.hr

KMK TROLLEYS



KMK TROLLEYS 1060-315

| CODE | DESCRIPTION | SIZE (HxWxDmm) | POSSIBLE HEIGHT OF DRAWERS |
|----------|--------------|-------------------|---------------------------------|
| 03010878 | KMK 1060-315 | 1050 x 1060 x 500 | 100 150 200 250 300 |

- Trolleys KMK 1060-315 dimensions are 1050 x 1060 x 500 mm
- The maximum width of the trolleys is 1095 mm, a depth of 650 mm
- Skeleton trolleys and trays are made of high quality steel and electrostatic plastic coatings in RAL 7035
- The roof is made of ABS plastic that is easy to maintain, clean and disinfect, with the three sides of the edges are raised
- The drawers are full extension on quality telescopic guides
- The height of the upper tray is 100 + 200, 150 + 150 and 100 + 100 + 100 mm and the bottom of the 2x200 + 200 mm in the range of 700 mm – fifteen drawers
- The width of the mask drawer are 317.477 and 637 mm electrostatic powder coated in RAL color of choice
- The trolleys has two swivel wheels Ø 125 mm and two swivel with brake Ø 125 mm, and plastic bumpers on both sides

More about products on www.komedic.hr

STEINLESS STEEL TROLLEYS

STEINLESS STEEL TROLLEYS WITH 2 SHELVES

| DESCRIPTION | (HEIGHT) | (WIDTH) | (DEPTH) |
|---|----------|---------|---------|
| STEINLESS STEEL TROLLEYS WITH 2 SHELVES | 850 | 600 | 400 |
| | 900 | 700 | 500 |
| | 950 | 800 | 600 |
| | 1000 | 900 | 1000 |



- Stainless steel trolley with 2 shelves made of high quality stainless steel pipes
- The shelves are of stainless steel sheet
- The possibility of installing fences
- They have four wheels that will be fi 75 or 125 mm, two with brake, two swivel.

More about products on www.komedic.hr



- Stainless steel trolleys with 3 shelves made of high quality stainless steel pipes
- The shelves are of stainless steel sheet
- The possibility of installing fences
- They have four wheels that will be fi 75 or 125 mm, two with brake, two swivel.

STEINLESS STEEL TROLLEYS WITH 3 SHELVES

| DESCRIPTION | (HEIGHT) | (WIDTH) | (DEPTH) |
|---|----------|---------|---------|
| STEINLESS STEEL TROLLEYS WITH 3 SHELVES | 950 | 600 | 400 |
| | 1000 | 700 | 500 |
| | 1050 | 800 | 600 |
| | 1100 | 900 | 1000 |

STEINLESS STEEL TROLLEYS

STEINLESS STEEL TROLLEYS WITH 2 SHELVES 1 DRAWER h135/w550 mm

| DESCRIPTION | (HEIGHT) | (WIDTH) | (DEPTH) |
|---|----------|---------|---------|
| STEINLESS STEEL TROLLEYS WITH 2 SHELVES 1 DRAWER h135/w550 mm | 950 | 700 | 500 |
| | 1000 | 800 | 600 |
| | 1050 | 900 | |
| | 1100 | 1000 | |



- Stainless steel trolleys with 2 shelves and 1 drawer h135 / w550 mm
- Made of high quality stainless steel pipes
- Shelves and drawers are made of stainless steel sheet
- They have four wheels that will be fi75 or 125 mm, two with brake, two swivel.



- Stainless steel trolleys with 2 shelves and 2 drawers h135 / w320 mm
- Made of high quality stainless steel pipes
- Shelves and drawers are made of stainless steel sheet
- They have four wheels that will be fi 75 or 125 mm, two with brake, two swivel.

STEINLESS STEEL TROLLEYS WITH 2 SHELVES 2 DRAWERS h135/w320 mm

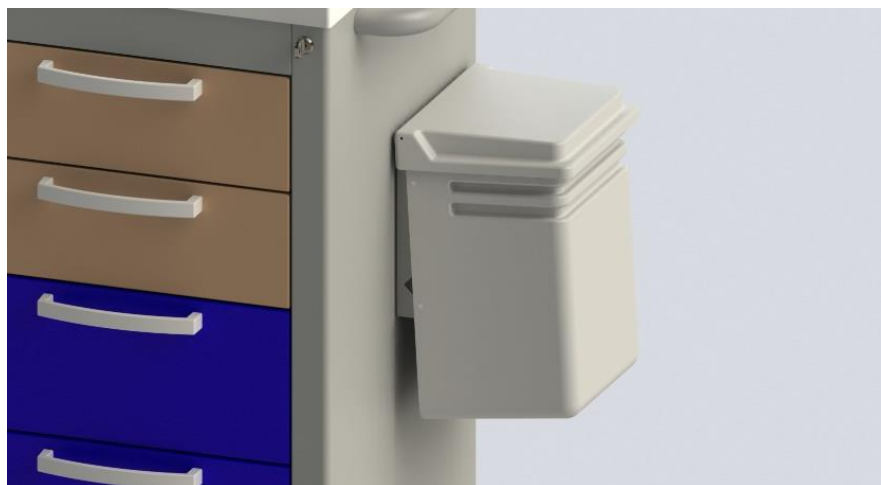
| DESCRIPTION | (HEIGHT) | (WIDTH) | (DEPTH) |
|--|----------|---------|---------|
| STEINLESS STEEL TROLLEYS WITH 2 SHELVES 2 DRAWERS h135/w320 mm | 950 | 800 | 500 |
| | 1000 | 900 | 600 |
| | 1050 | 1000 | |
| | 1100 | | |

More about products on www.komedic.hr

ACCESSORIES FOR TROLLEYS

KNEE-OPERATED WASTE BIN

| CODE | DESCRIPTION | (HEIGHT) | (WIDTH) | (DEPTH) |
|----------|-------------------------|----------|---------|---------|
| 03011204 | KNEE-OPERATED WASTE BIN | 345 | 240 | 200 |



- Made of ABS plastic
- Side fastening



- The frame is made of steel pipes
- Rack of steel
- Electrostatic powder coated

ARCAS BOXES

| CODE | DESCRIPTION | (HEIGHT) | (WIDTH) |
|---------|-------------|----------|---------|
| 0310202 | ARCAS BOXES | 640 | 560 |

More about products on www.komedic.hr

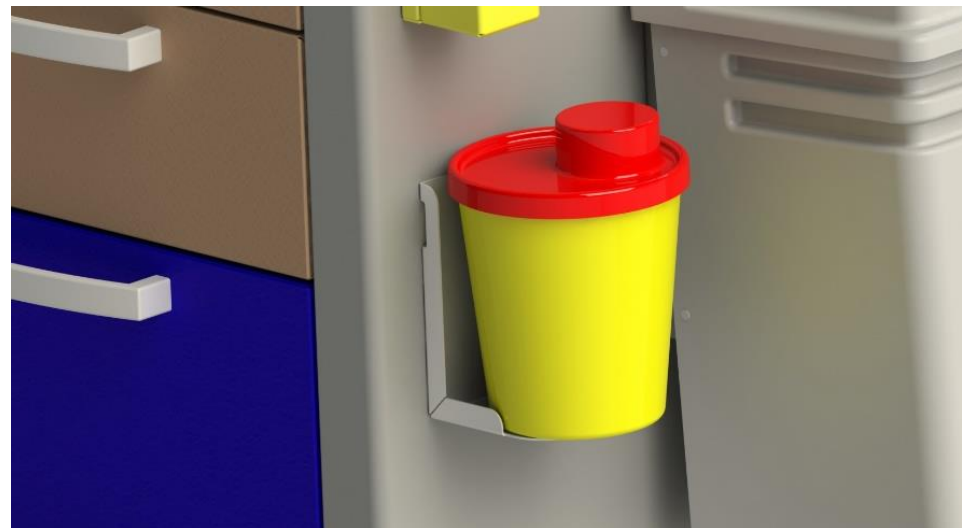
ACCESSORIES FOR TROLLEYS

CARRIER DEFIBRILATORS

| CODE | DESCRIPTION | (HEIGHT) | (WIDTH) |
|----------|-----------------------|----------|---------|
| 03010207 | CARRIER DEFIBRILATORS | 25 | 315-415 |



- Made of steel pipe electrostatic powder coated



- Made of sheet steel + fixing electrostatic powder coated

CARRIER FOR NEEDLE CONTAINERS

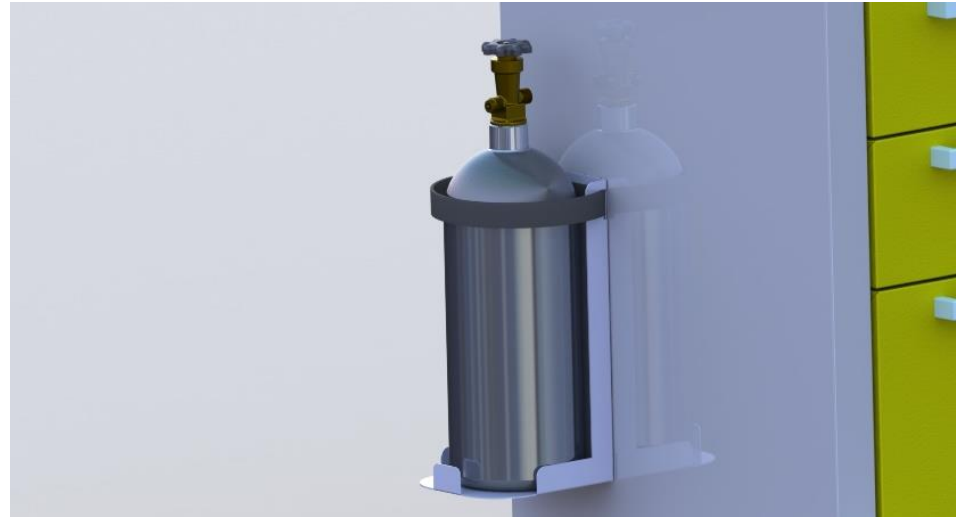
| CODE | DESCRIPTION | (HEIGHT) | (WIDTH) | (DEPTH) |
|----------|-------------------------------|----------|---------|---------|
| 03010217 | CARRIER FOR NEEDLE CONTAINERS | 140 | 105 | 95 |

More about products on www.komedic.hr

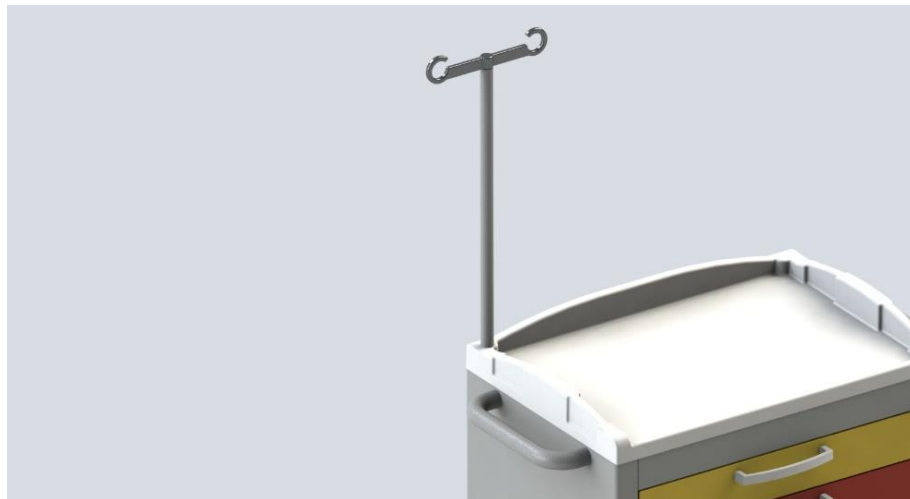
ACCESSORIES FOR TROLLEYS

INFUSION STAND

| CODE | DESCRIPTION | (HEIGHT) | (WIDTH) | (DEPTH) |
|----------|----------------|----------|---------|---------|
| 03011205 | INFUSION STAND | 345 | 240 | 200 |



- Made of sheet steel + fixing electrostatic powder coated



- Made of steel pipe fi 25 mm electrostatic powder coated

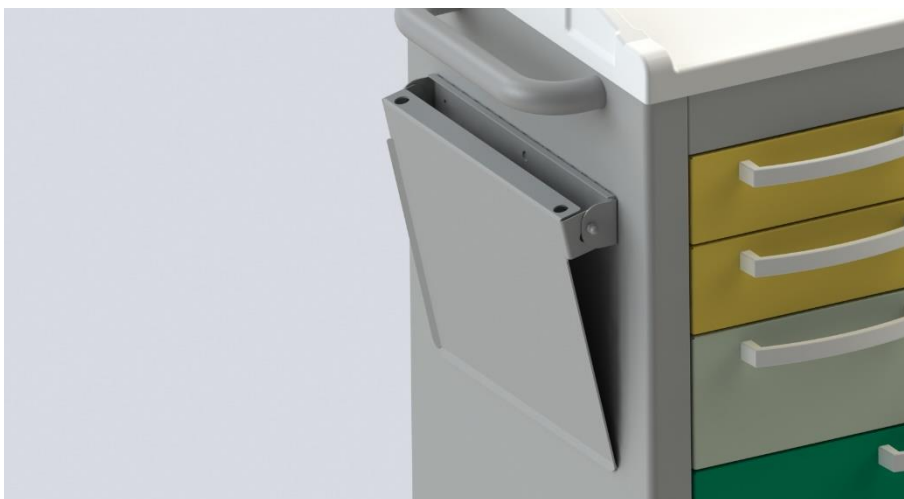
CARRIER FOR OXYGEN BOTTLE

| CODE | DESCRIPTION | (HEIGHT) | (WIDTH) | (DEPTH) |
|----------|---------------------------|----------|---------|---------|
| 03011220 | CARRIER FOR OXYGEN BOTTLE | 300 | 155 | 165 |

ACCESSORIES FOR TROLLEYS

PULL-UP SHELF

| CODE | DESCRIPTION | (HEIGHT) | (WIDTH) | (DEPTH) |
|----------|---------------|----------|---------|---------|
| 03010219 | PULL-UP SHELF | 60 | 380 | 300 |



- Made of steel
- Electrostatic powder coated



- Made of pvc plastic

ADJUSTABLE DIVIDERS

| CODE | DESCRIPTION | (HEIGHT) | (WIDTH) |
|----------|---------------------|----------|---------|
| 03010224 | ADJUSTABLE DIVIDERS | 50 | 405 |

More about products on www.komedic.hr

ACCESSORIES FOR TROLLEYS

CATETER HOLDER

| CODE | DESCRIPTION | (HEIGHT) | (WIDTH) | (DEPTH) |
|----------|----------------|----------|---------|---------|
| 03010206 | CATETER HOLDER | 445 | 130 | 55 |



- Made of steel
- Electrostatic powder coated



- Made of transparent plexi

PLEXI SHELF

| CODE | DESCRIPTION | (HEIGHT) | (WIDTH) |
|----------|-------------|----------|---------|
| 03010210 | PLEXI SHELF | 605 | 430 |

ACCESSORIES FOR TROLLEYS

BAG CARRIER

| CODE | DESCRIPTION | (HEIGHT) | (WIDTH) |
|----------|-------------|----------|---------|
| 03010216 | BAG CARRIER | 395 | 255 |

- Made of stainless steel tubes and stainless steel sheet



More about product on www.komedic.hr

OTHER MEDICAL PROGRAM

SERVING TABLE

| CODE | DESCRIPTION | (HEIGHT) | (WIDTH) | (DEPTH) |
|----------|---------------|----------|---------|---------|
| 03011150 | SERVING TABLE | 850-1220 | 615 | 450 |

- The stand is made of high quality steel pipes electrostatic powder coated
- Wooden drawer with chrome pipes
- A desk made of ABS plastic that is easy to maintain and clean
- Ability to adjust the height and tilt table



More about products on www.komedic.hr

OTHER MEDICAL PROGRAM

CABINET DRUGS

| CODE | DESCRIPTION | (HEIGHT) | (WIDTH) | (DEPTH) |
|----------|---------------|----------|---------|---------|
| 03011113 | CABINET DRUGS | 1870 | 750 | 380 |

- Made of high quality steel
- Electrostatic powder coated
- Upper door glass + two glass shelves
- In the lower part two-door metal cabinet with one metal shelf
- Cylinder lock with two keys on both doors
- On legs with rubber studs



More about products on www.komedic.hr

OTHER MEDICAL PROGRAM

EXAMINATION TABLE

| CODE | DESCRIPTION | (HEIGHT) | (WIDTH) | (DEPTH) |
|----------|-------------------|----------|---------|---------|
| 03011011 | EXAMINATION TABLE | 750 | 2000 | 810 |

- Is made of steel pipes plastic coatings In 7035, end of pipe with plug.
- Headboard adjustable from 0 to 40 degrees +/-
- Dimension of bed are 2000x750x810 mm, head of bed is 650x750 mm, fixed part 1350x750 mm.
- The cover is Poltex-base of cotton 100%, overlays Polyurethane 100%, antibacterial treatment, filling polyurethane foam 40 mm thick, density 32 kg / m³, hardness 4,6kPa.
- The base of plywood 18 mm thick.



- Hydraulic or electric height adjustment
- Circular switch with electric model enables height adjustment from any side of bed
- Easy head section adjustment
- Table ensures maximum comfort
- Base cover design enables free side access



More about products on www.komedic.hr

OTHER MEDICAL PROGRAM

NIGHT STAND



| CODE | DESCRIPTION | (HEIGHT) | (WIDTH) | (DEPTH) |
|----------|-------------|----------|---------|---------|
| 03010848 | NIGHT STAND | 1110 | 670 | 480 |

- Made of high quality steel
- Electrostatic powder coated
- Wardrobe can be opened from both sides

More about products on www.komedic.hr

OTHER MEDICAL PROGRAM



TREADS

| CODE | DESCRIPTION | (HEIGHT) | (WIDTH) | (DEPTH) |
|----------|-------------|----------|---------|---------|
| 03011130 | TREADS | 220 | 410 | 250 |
| 03011131 | TREADS | 440 | 400 | 530 |

- Stand made of high quality steel pipes
- Electrostatic powder coated
- Tread rubber, can be 1, 2 stair



PIRIKOM
pirikom@pirikom.hr www.pirikom.hr

Pirikom d.o.o; Production facility: Dubovec Bisaški bb; Komin 26; 10383 Komin

Phone: 01 2067 555, 2040 990 Fax: 01 2067 744

E-mail: pirikom@pirikom.hr; komedic@komedic.hr

www.pirikom.hr; www.komedic.hr